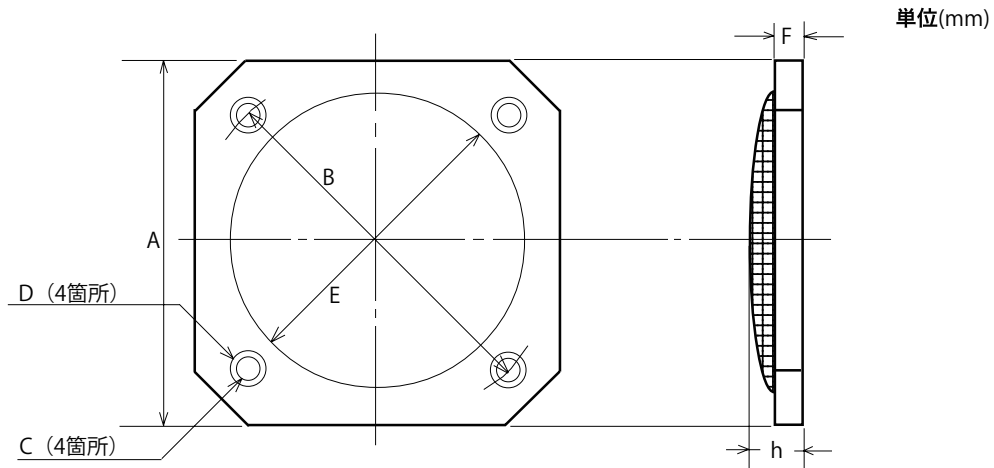


# K308P / K312P

## ■外形寸法

型 式	A	B	C	D	E	F	h
K308P	□ 90	∅86	∅4.1	∅8	∅71	5.0	12.5
K312P	□ 128	∅126	∅5.1	∅9	∅108	10.3	24.0



# KG810P / KG816P / KG820P

## ■外形寸法

型 番	A	B	C	D	E	F	(G)
KG810P	∅134	∅115	∅5.0	∅9.0	∅100	12.0	20.0
KG816P	∅197	∅174	∅6.0	∅11.0	∅152	18.0	28.0
KG820P	∅237	∅213	∅6.0	∅11.0	∅190	18.0	30.0

単位(mm)

