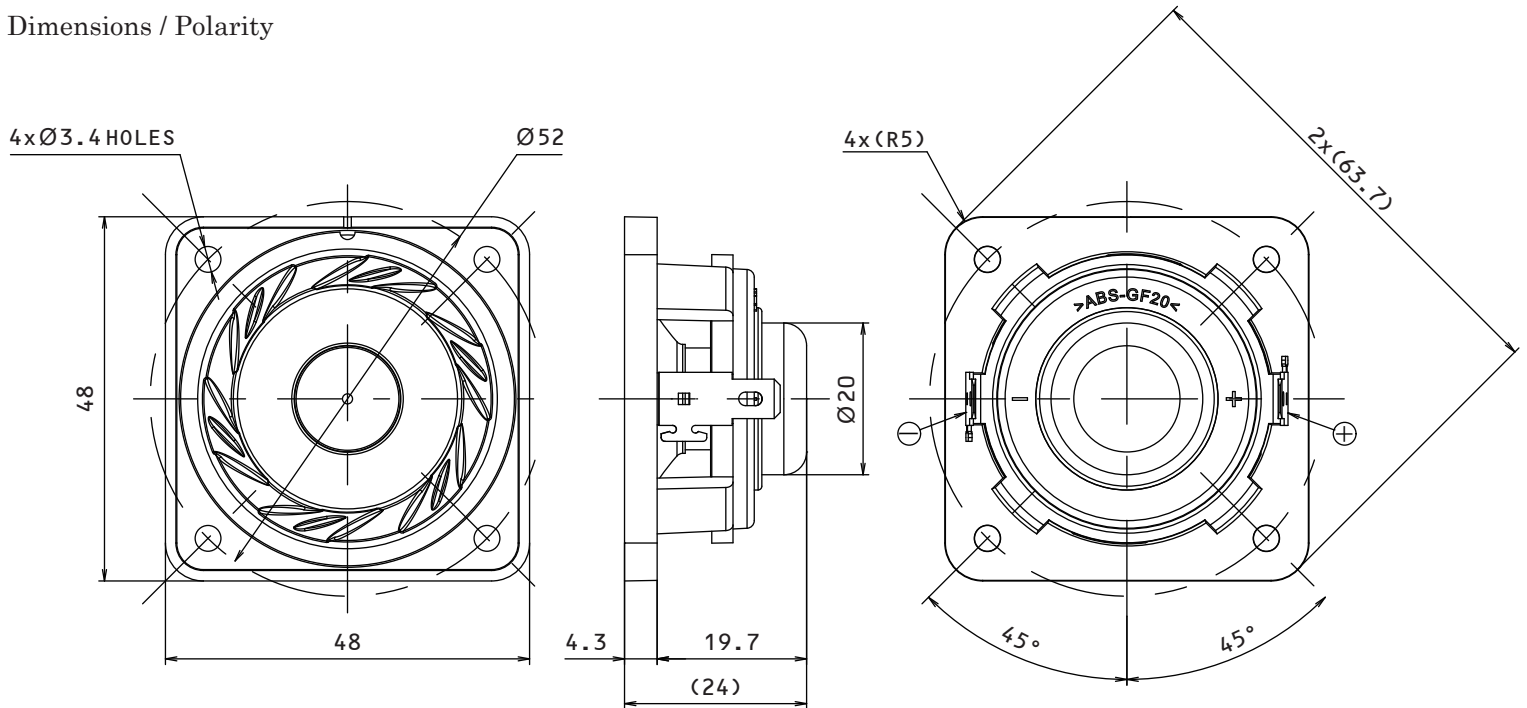
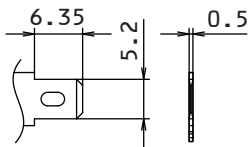


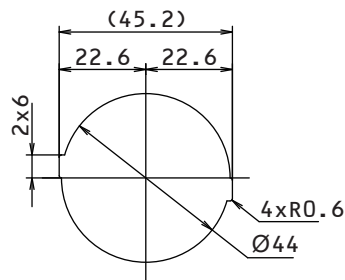
Dimensions / Polarity



TERMINAL LUG DETAILS



BAFFLE HOLE DETAILS



Specifications & Thiele / Small Parameters

Electrical Parameters	Nominal Impedance	8 ohm
	Re	7.5 ohm
	Le	0.07 mH
	fs (F0)	320 Hz
Mechanical Parameters	Mms (M0)	0.79 g
	Cms	0.32 mm/N
	Bl	2.0 Tm
Loss Factors	Qms	5.1 -
	Qes	2.7 -
	Qts (Q0)	1.78 -
Other Parameters	Sensitivity (1m/1W)	79 dB
	Frequency range	fs to 40k Hz
	Rated power handling*	5 W
	Diaphragm area (Sd)	3.4 cm ² (9.08 cm ²)
	Equivalent volume (Vas)	0.05 L
	Weight	31 g
	Magnet diameter	12 mm (Neodymium)
	Overall square dimension	48 mm
	Baffle hole diameter	44 mm
	Bolt circle diameter	52 mm
	Terminal lug	#205(t0.5)
	Water resistant	IPX4**

* IEC 268-5, 100h.

** Not supported when used alone.

Frequency Response

