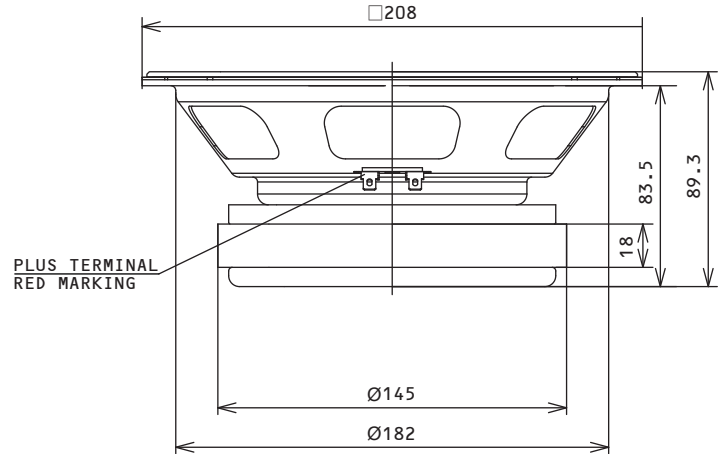
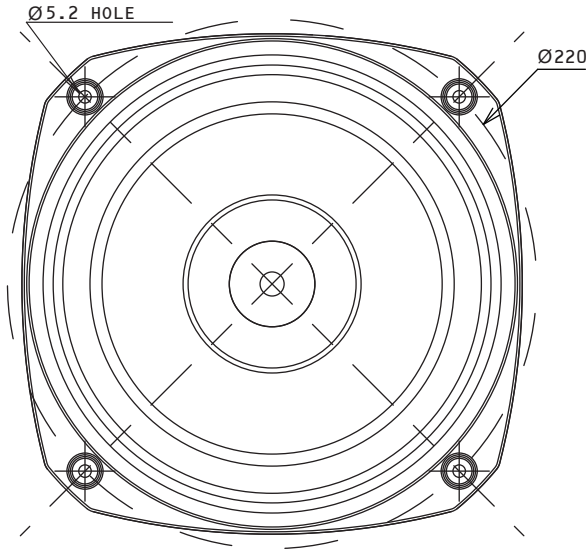


Fostex

20cm Fullrange speaker unit
FE206NV2

Specification Sheet

Dimensions / Polarity



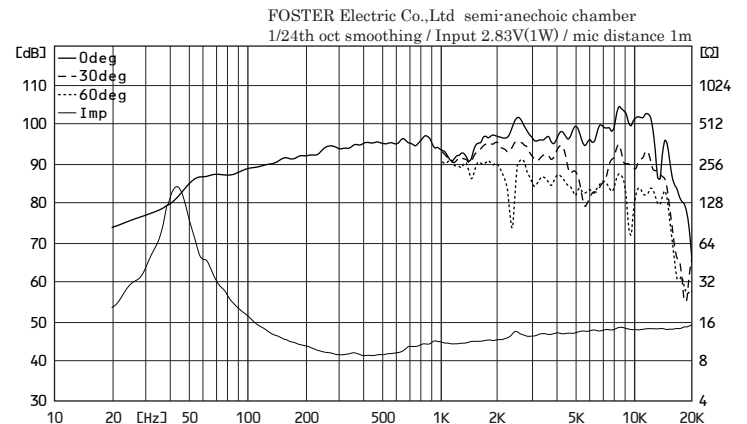
Standard Accessories

| | |
|--------------------|--------------------------|
| Speaker unit : 1pc | Safety precautions : 1pc |
| Screw : 4pcs | |
| Washer : 4pcs | |
| Spacer : 1pc | |

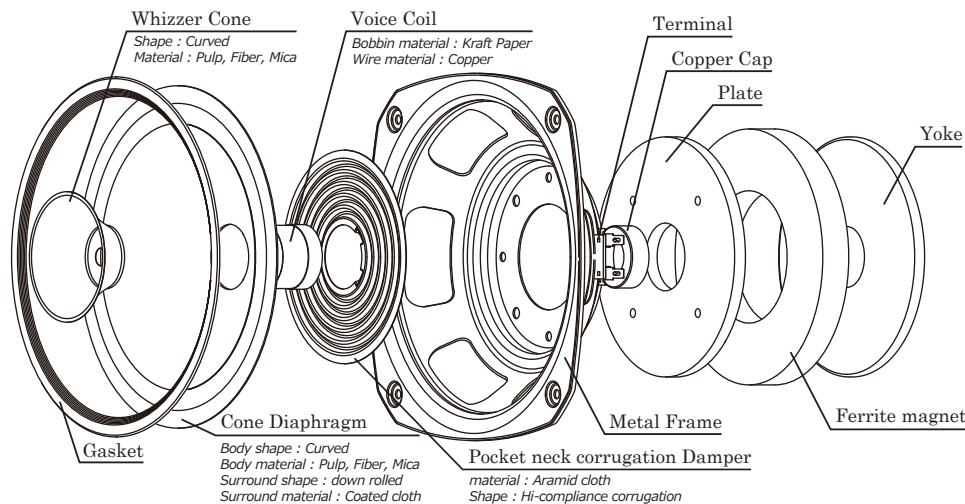
Specifications & Thiele / Small Parameters

| | | | |
|-----------------------|---------------------------------|-----------|------|
| Electrical Parameters | Nominal Impedance | 8.0 | ohm |
| | Re | 7.2 | ohm |
| | Le | 0.1 | mH |
| | fs (F0) | 44.7 | Hz |
| Mechanical Parameters | Mms (M0) | 15.2 | g |
| | Cms | 0.8 | mm/N |
| | Bl | 10.7 | N/A |
| | Qms | 7.25 | - |
| Loss Factors | Qes | 0.27 | - |
| | Qts (Q0) | 0.26 | - |
| | SPL (1m/1W) | 96 | dB |
| Other Parameters | Equivalent Diaphragm Radius (a) | 81.0 | mm |
| | Rated Input | 30 | W |
| | Max Input | 90 | W |
| | Overall Diameter | □208 | mm |
| | Voice Coil Diameter | 35 | mm |
| | Reproduction Frequency Response | fs to 18k | Hz |
| | Vas | 50.2 | L |
| | Baffle Hole Diameter | Φ185 | mm |

Frequency Response



Components



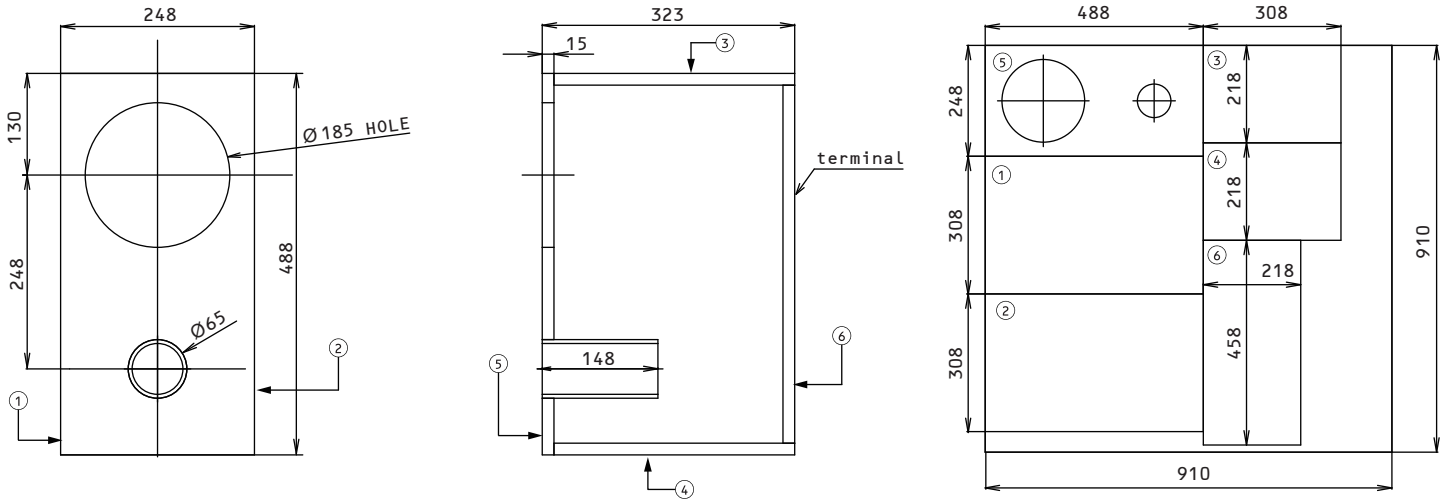


20cm Fullrange speaker unit
FE206NV2

Application Sheet

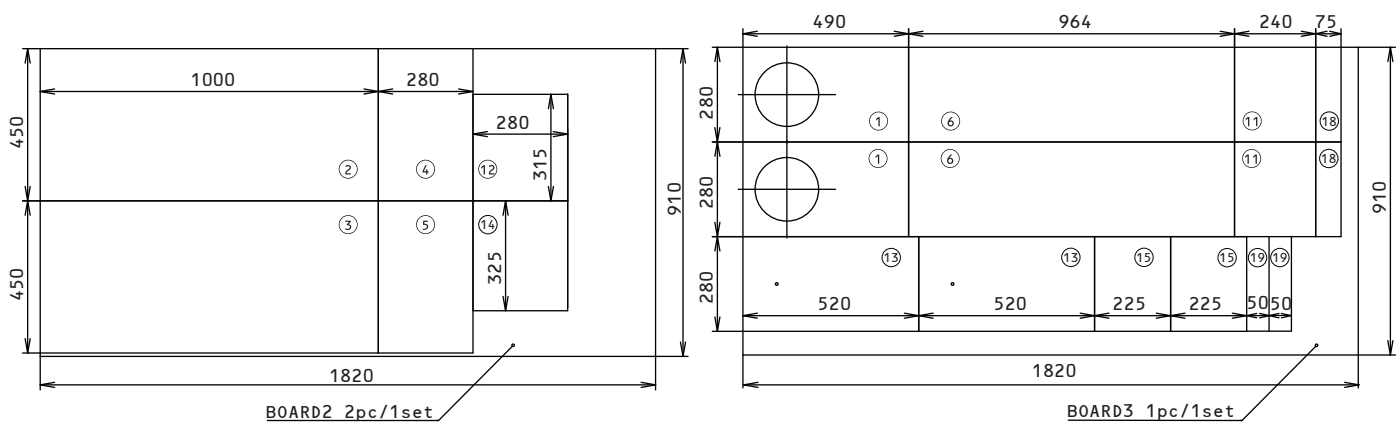
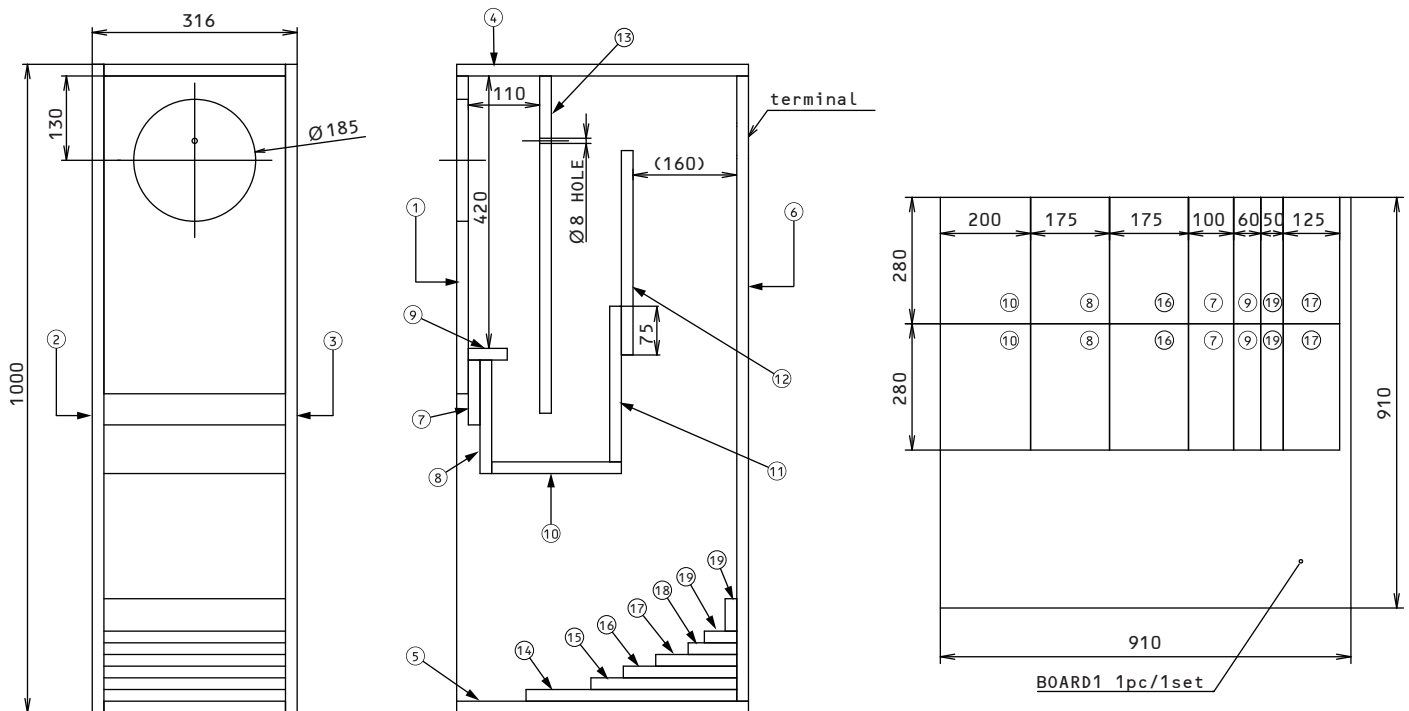
Bass Reflex type Enclosure

thickness : 15mm



Backloaded horn type Enclosure

thickness : 18mm



※Please visit our website for more details.

In accordance with our policy of continuous development, we reserve the right to change specifications without notice