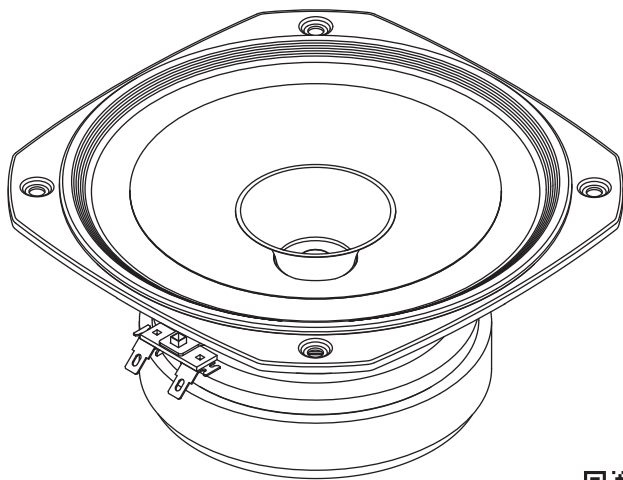




FE166NV

16cm Fullrange speaker unit



Fostex

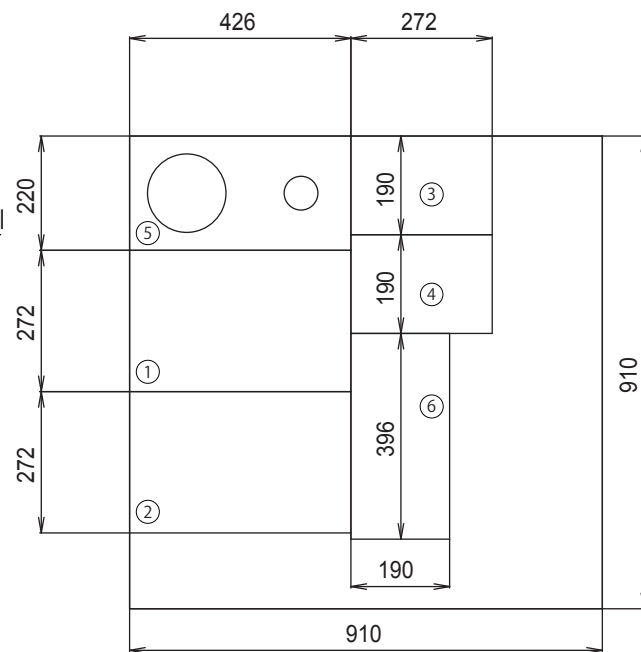
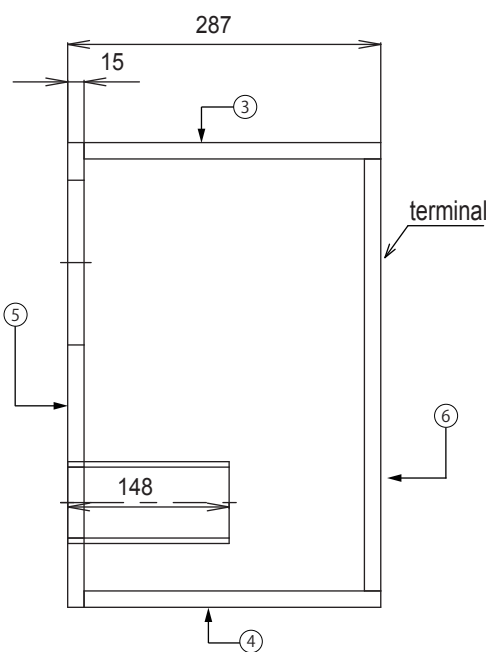
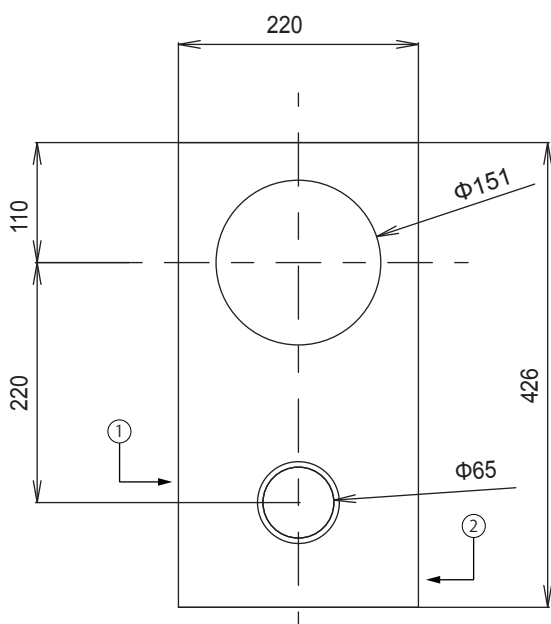
Application Sheet



www.fostex.jp/products/fe166nv

In accordance with our policy of continuous development, we reserve the right to change specifications without notice Printed in China 635310

Bass Reflex type Enclosure

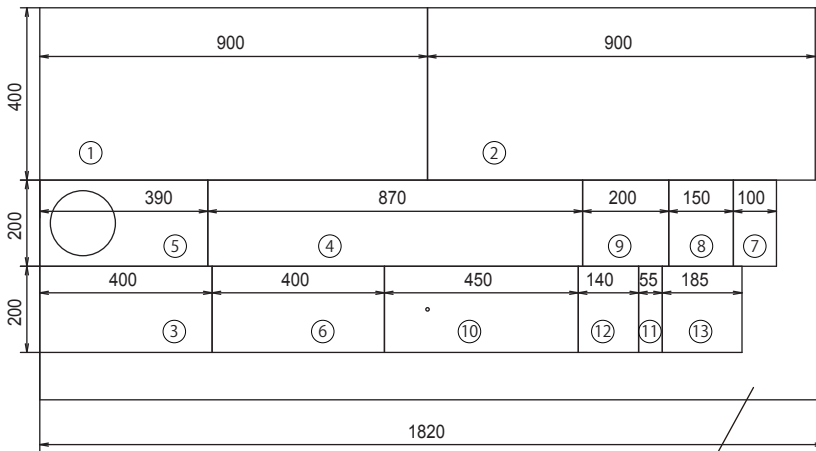
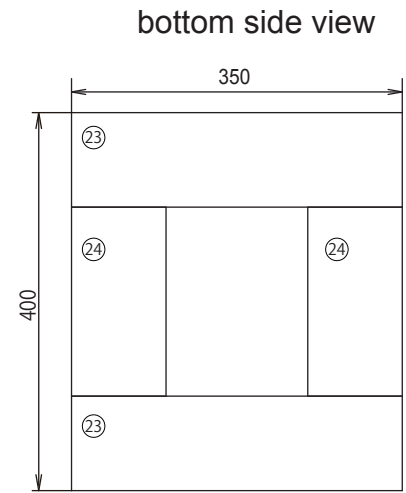
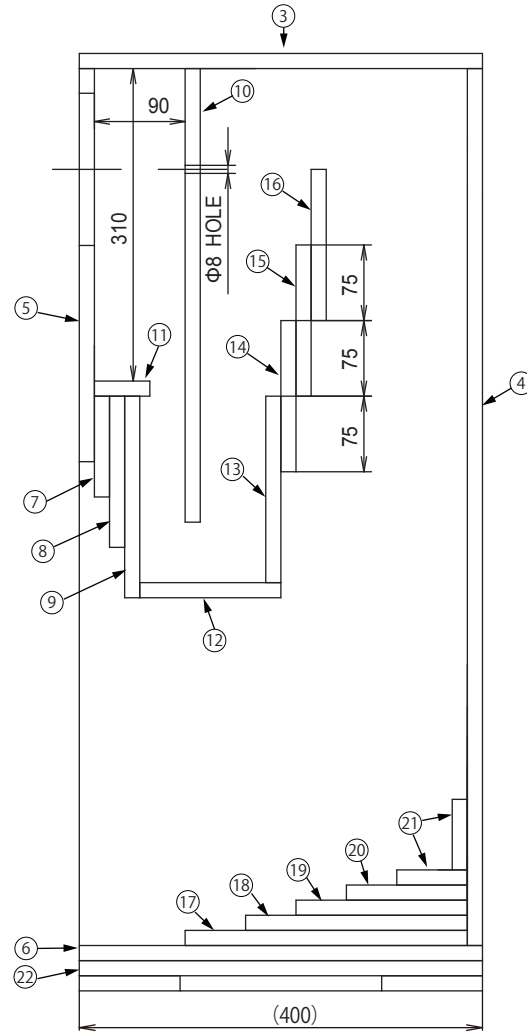
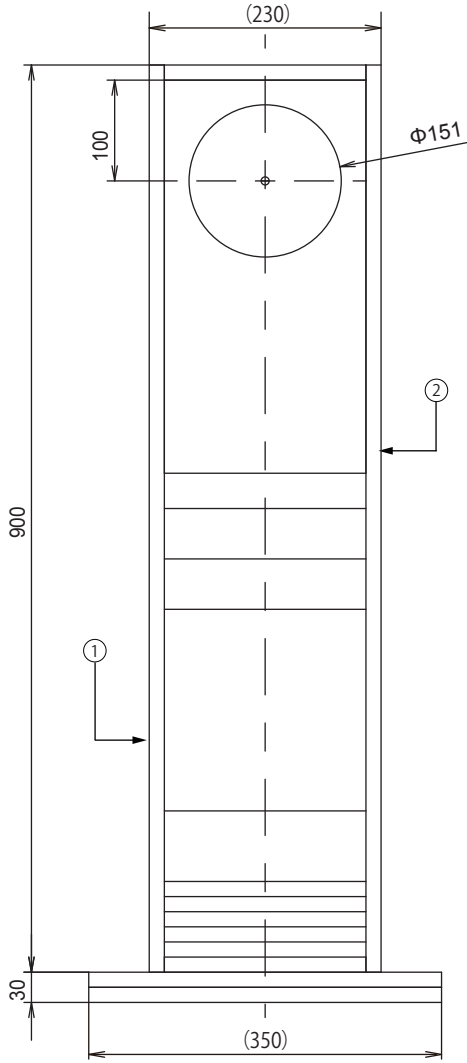


thickness : 15mm

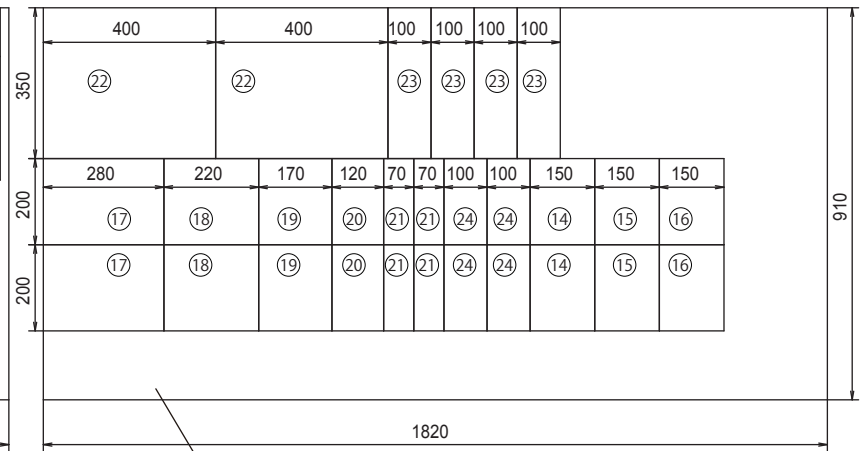
※Please visit our website for more details.

Backloaded horn type Enclosure

thickness : 15mm



BOARD1 2pcs/1set



BOARD2 1pc/1set

※ Please visit our website for more details.