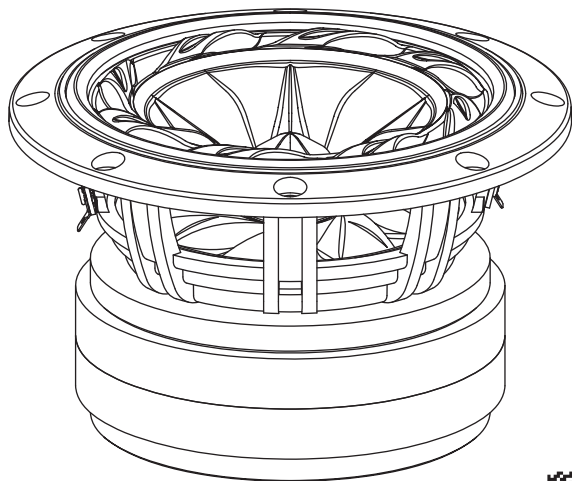


Fostex

FE168SS-HP

16cm HP Diaphragm Fullrange



Specification Sheet

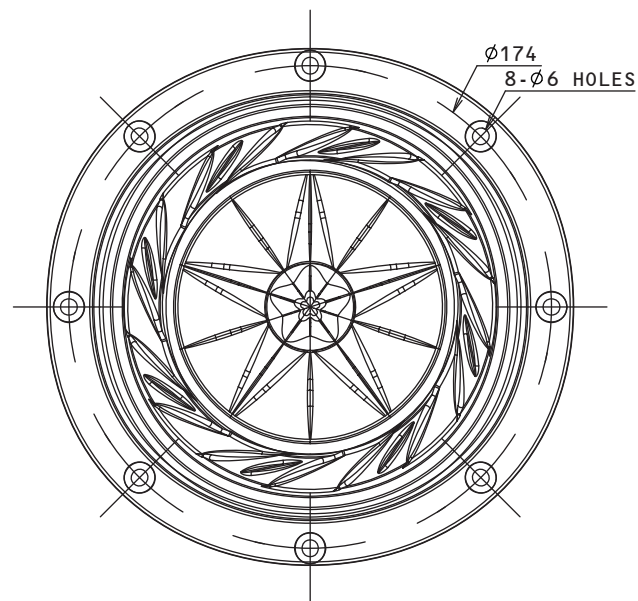
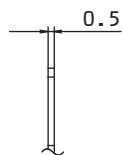
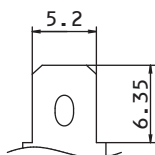
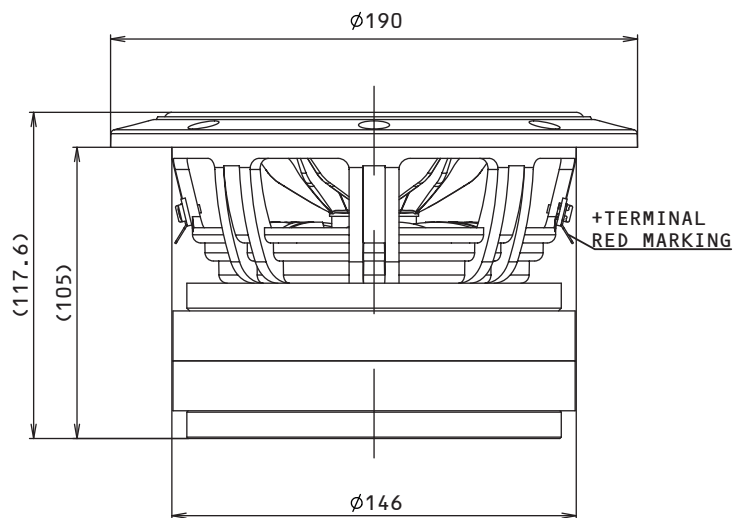


Fostex

www.fostex.jp/products/fe168ss-hp

In accordance with our policy of continuous development, we reserve the right to change specifications without notice Printed in China 643854

Dimensions / Polarity



Standard Accessories

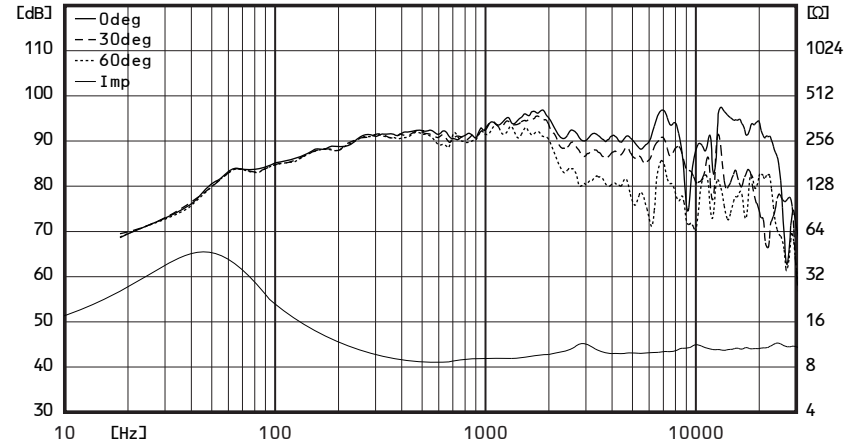
Speaker unit : 1pc	L Wrench : 2pcs
Wood Screw : 8pcs	CORD : 2pcs
Washer : 8pcs	Foam Seal : 1pc
CAP Bolt : 8pcs	Specification Sheet : 1pc
Washer : 8pcs	Application Sheet : 1pc
Implanted Nut : 8pcs	Safety precautions : 1pc

Specifications & Thiele / Small Parameters

Electrical Parameters	Nominal Impedance	8.0	ohm
	Re	7.4	ohm
	Le	0.40	mH
	fs (F0)	54	Hz
Mechanical Parameters	Mms (M0)	9.54	g
	Cms	0.91	mm/N
	Bl	8.81	N/A
Loss Factors	Qms	1.94	-
	Qes	0.31	-
	Qts (Q0)	0.27	-
Other Parameters	SPL (1m/1W)	91	dB
	Equivalent Diaphragm Radius (a)	60	mm
	Rated Input	27	W
	Max Input	-	W
	Overall Diameter	Φ190	mm
	Voice Coil Diameter	30	mm
	Reproduction Frequency Response	fs to 25k	Hz
	Vas	16.54	L
	Baffle Hole Diameter	Φ151	mm

Frequency Response

FOSTER Electric Co.,Ltd semi-anechoic chamber
1/24th oct smoothing / Input 2.83V(1W) / mic distance 1m



Components

