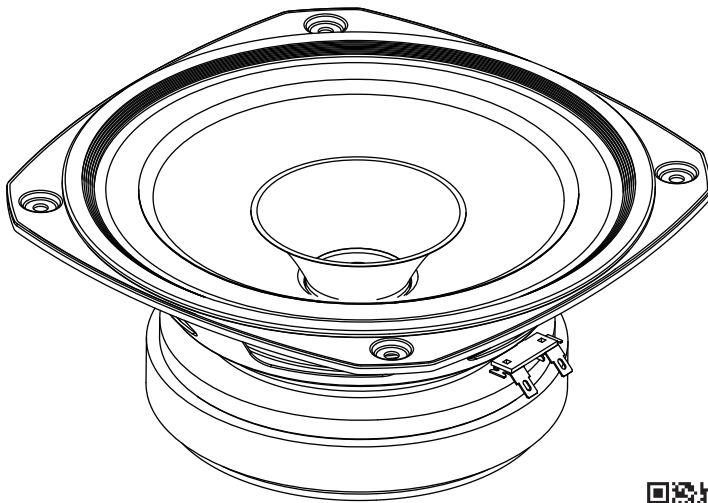


**Fostex**

# FE206NV

20cm Fullrange speaker unit



Application Sheet

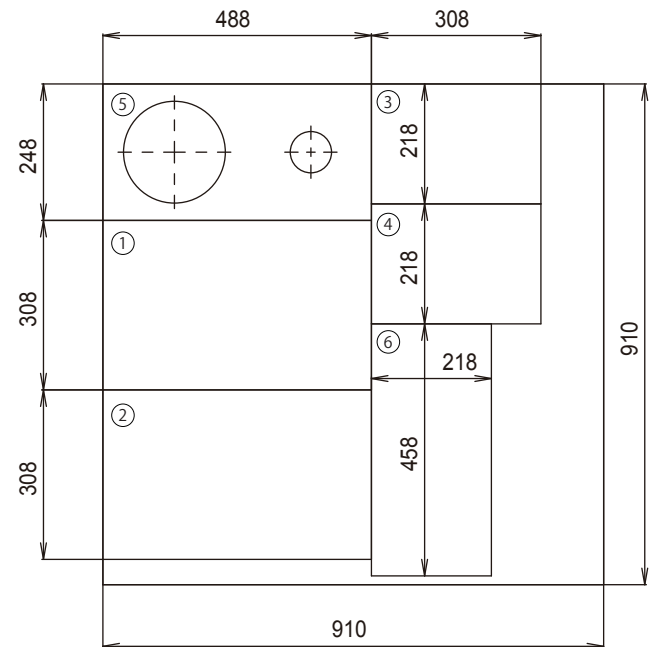
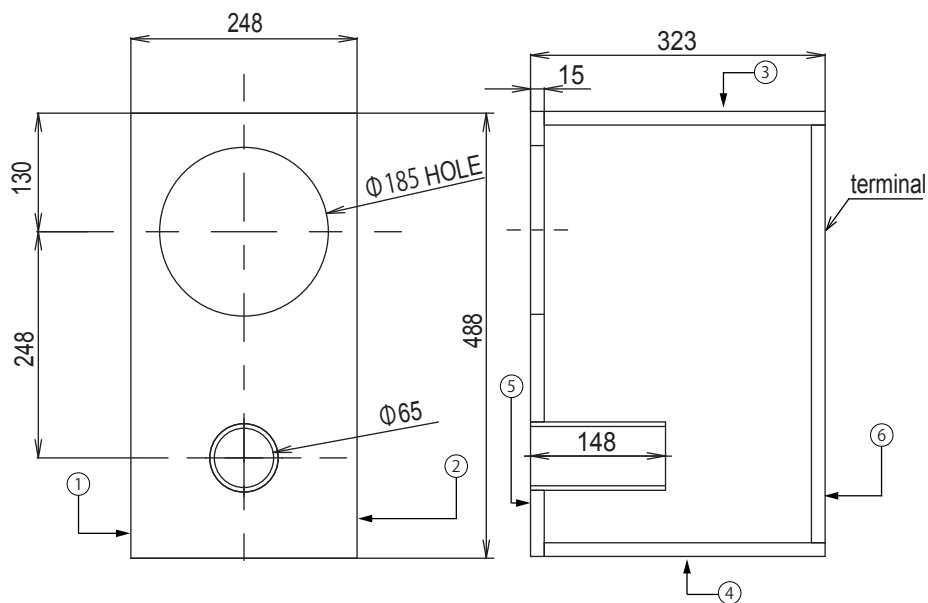


**Fostex**

[www.fostex.jp/products/fe206nv](http://www.fostex.jp/products/fe206nv)

In accordance with our policy of continuous development, we reserve the right to change specifications without notice Printed in China 638120

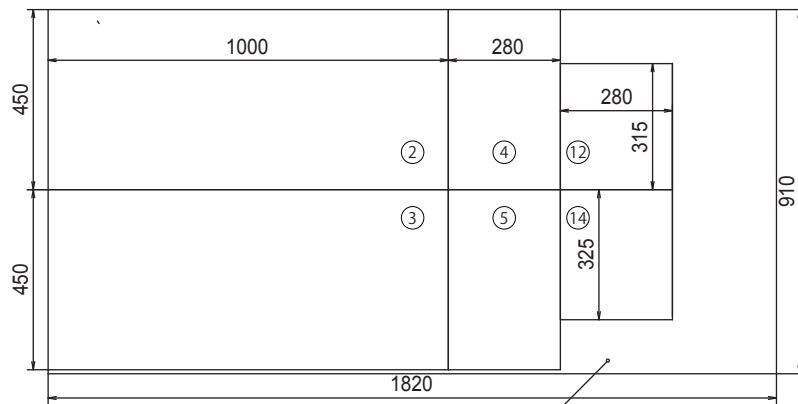
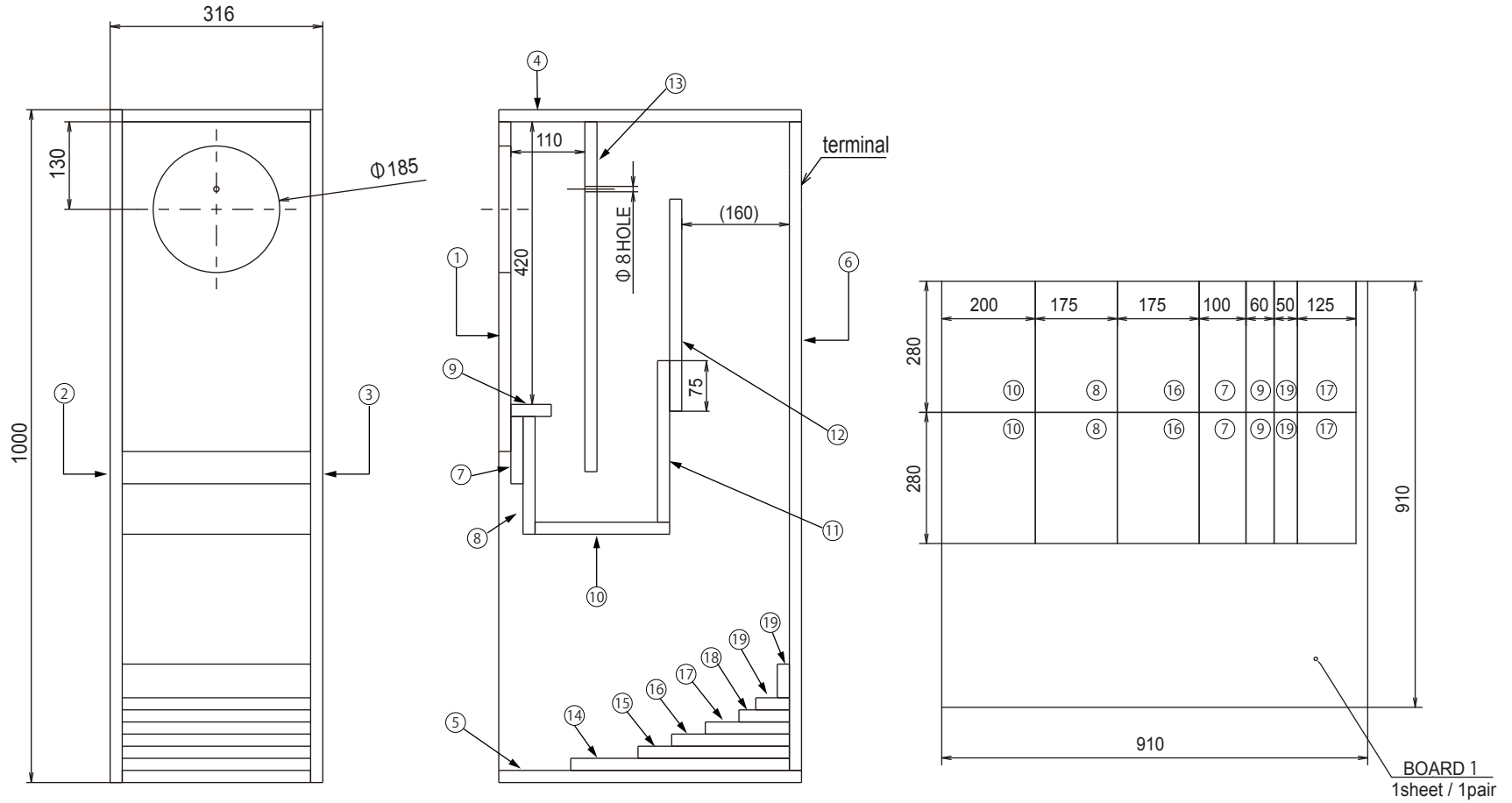
## Bass Reflex type Enclosure



thickness : 15mm

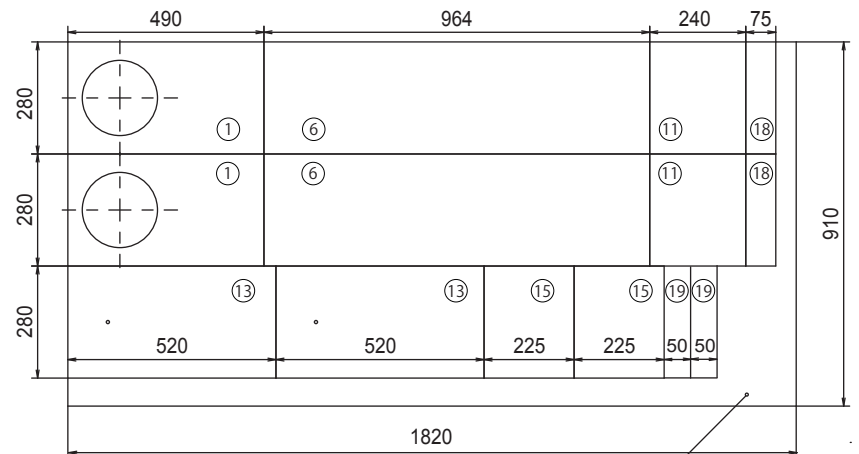
※Please visit our website for more details.

# Backloaded horn type Enclosure



BOARD 2  
2sheets / 1pair

thickness : 18mm



BOARD 3  
1sheet / 1pair

※Please visit our website for more details.