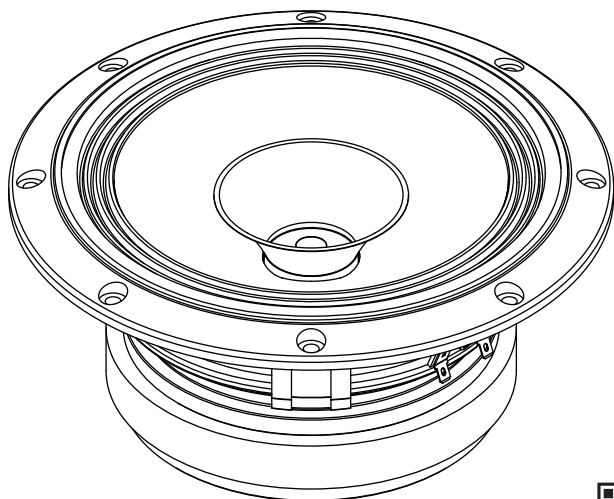


FE208NS

20cm Fullrange speaker



Application Sheet

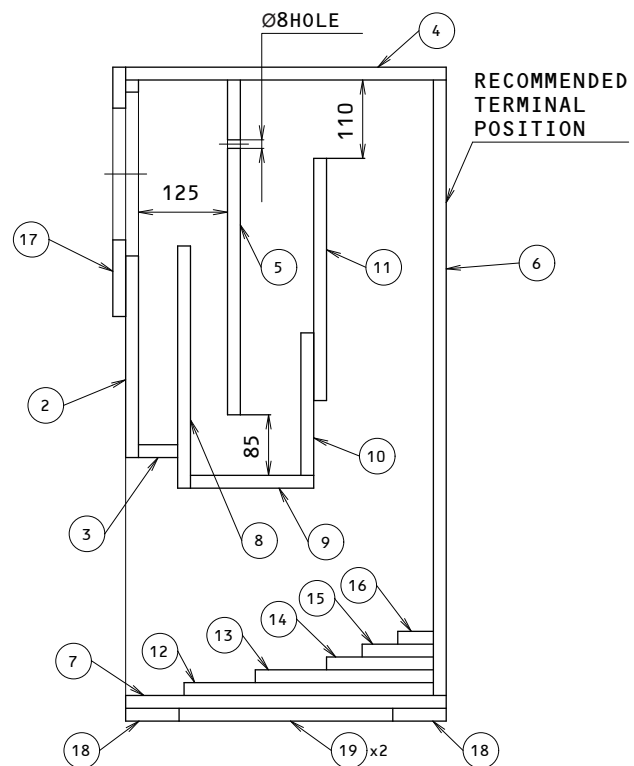
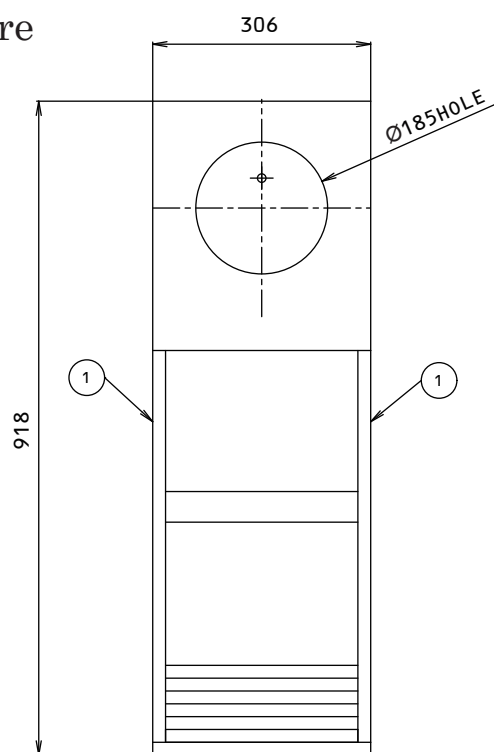


Fostex

www.fostex.jp/products/fe208ns

In accordance with our policy of continuous development, we reserve the right to change specifications without notice Printed in China 632246

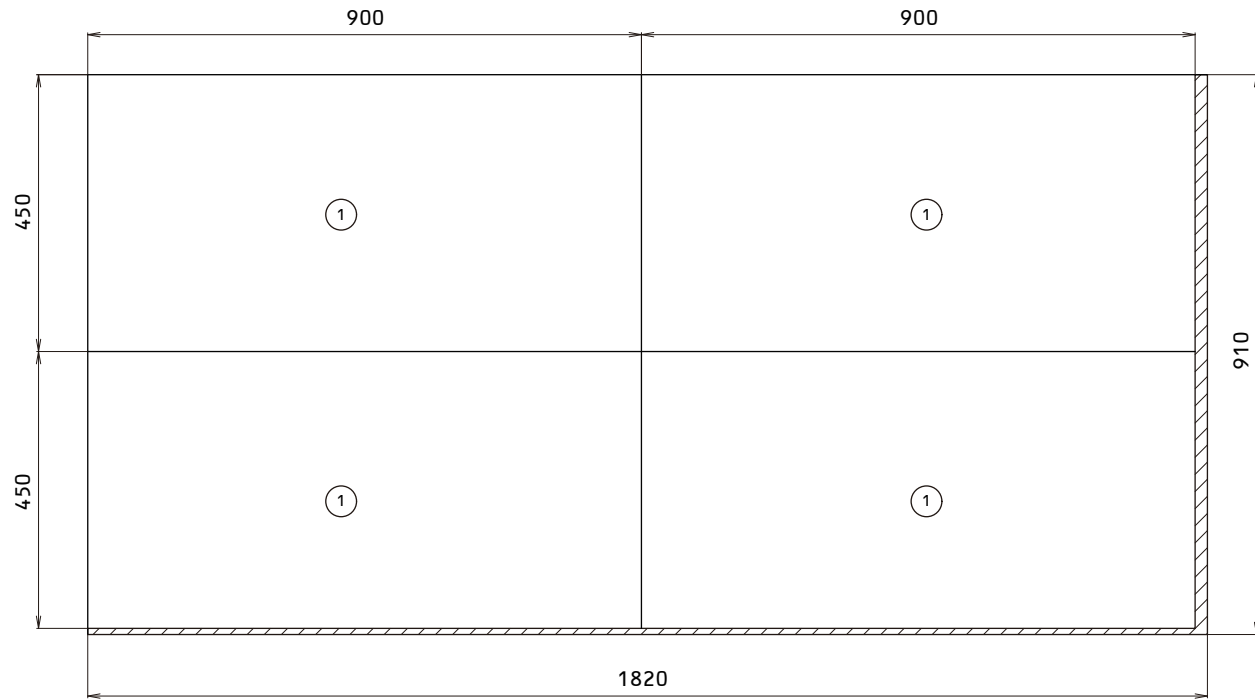
Enclosure



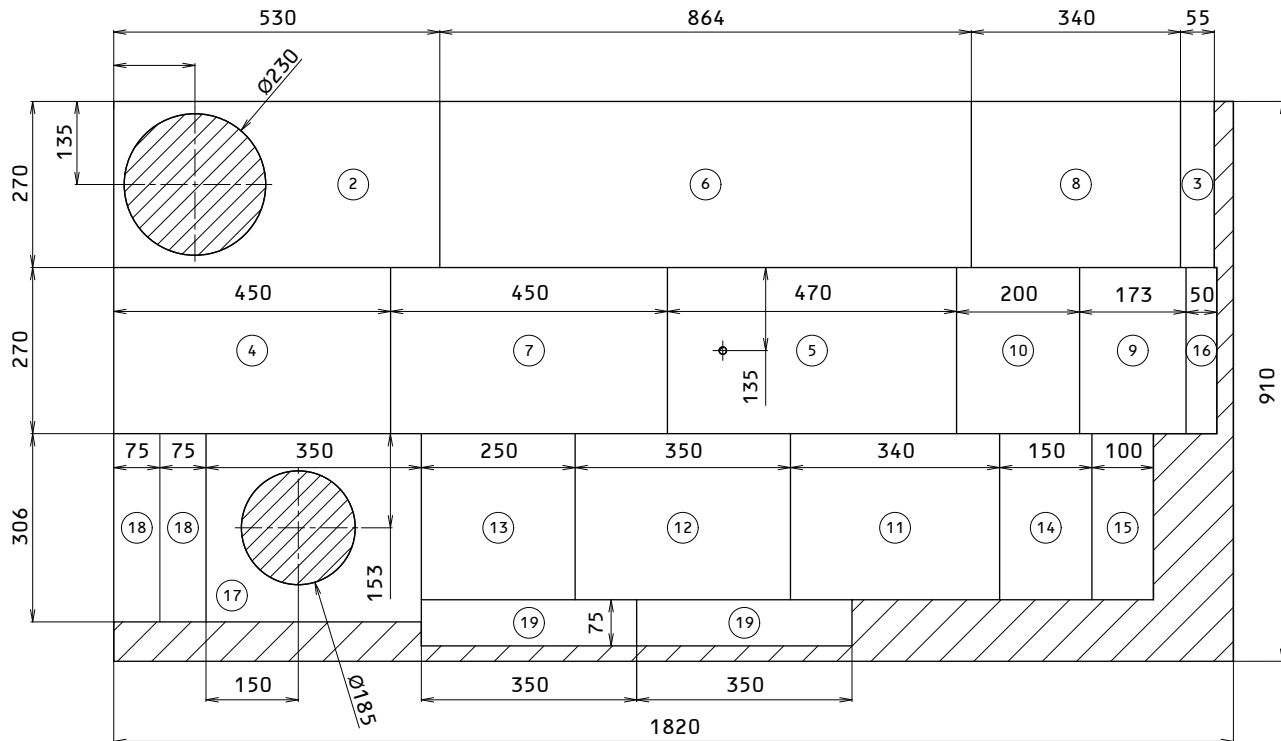
※Please visit our website for more details.

Enclosure

BOARD 1 (1 sheet/1pair) thickness : 18mm



BOARD 2 (2 sheet/1pair) thickness : 18mm



※Please visit our website for more details.