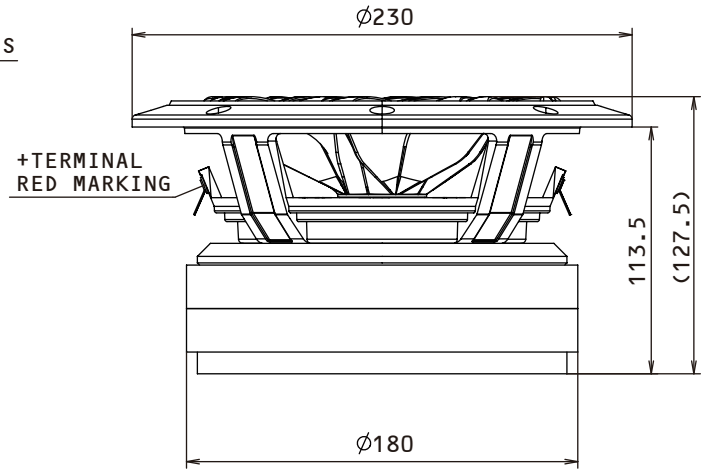
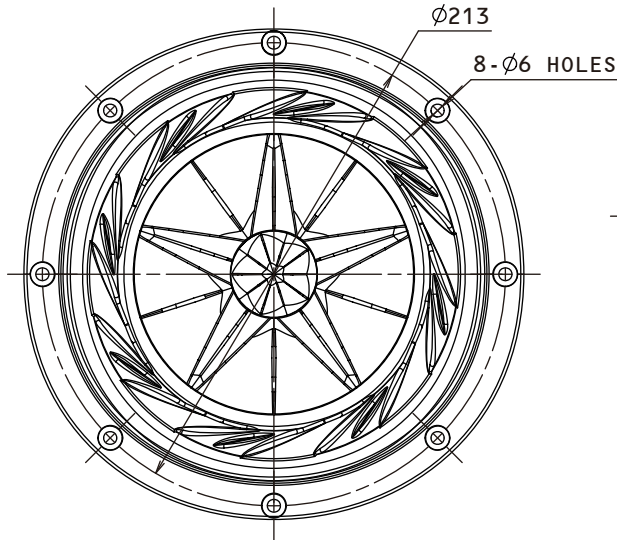


**Fostex**

20cm HP Diaphragm Fullrange  
**FE208SS-HP**

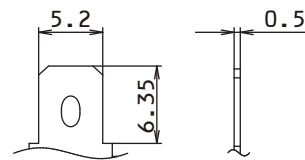
**Specification Sheet**

Dimensions / Polarity



Standard Accessories

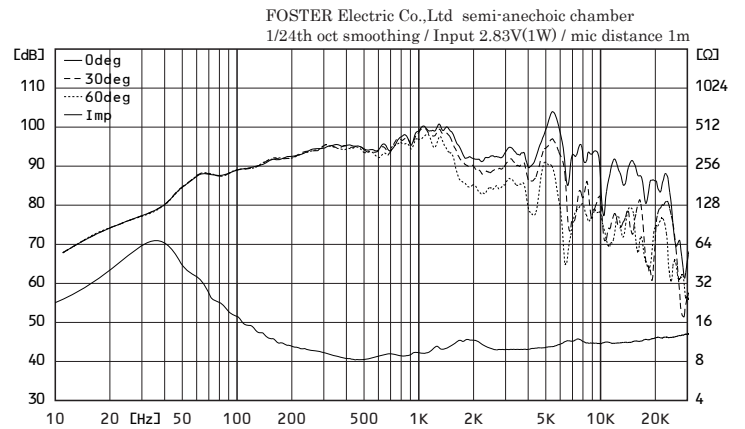
Speaker unit : 1pc	Implanted Nut : 8pcs
Wood Screw : 8pcs	L Wrench : 2pcs
Washer : 8pcs	Cord : 2pcs
Cap Bolt : 8pcs	Foam Seal : 1pc
Washer : 8pcs	Safety precautions : 1pc



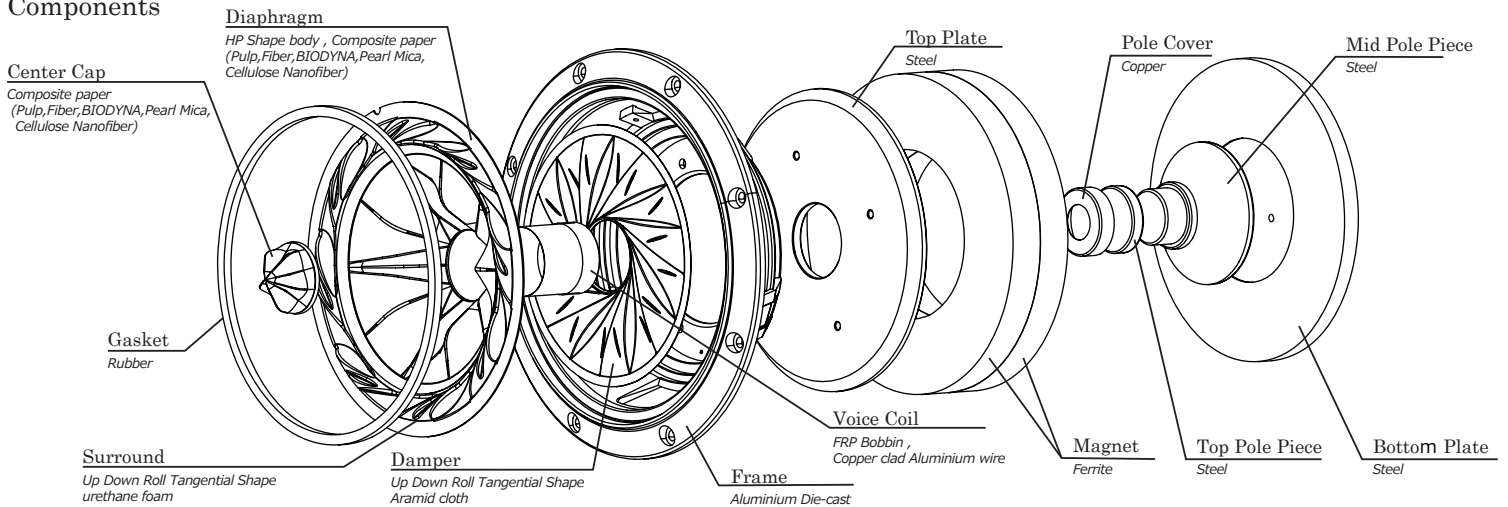
Specifications & Thiele / Small Parameters

Electrical Parameters	Nominal Impedance	8	ohm
	Re	7.2	ohm
	Le	0.14	mH
	fs (F0)	32	Hz
Mechanical Parameters	Mms (M0)	15.1	g
	Cms	1.68	mm/N
	Bl	10.74	N/A
Loss Factors	Qms	1.8	-
	Qes	0.19	-
	Qts (Q0)	0.17	-
Other Parameters	SPL (1m/1W)	94.5	dB
	Equivalent Diaphragm Radius (a)	80	mm
	Rated Input	35	W
	Overall Diameter	Φ230	mm
	Voice Coil Diameter	40	mm
	Reproduction Frequency Response	fs to 23k	Hz
	Vas	96.38	L
	Baffle Hole Diameter	Φ186	mm
	Weight	8,260	g

Frequency Response



Components



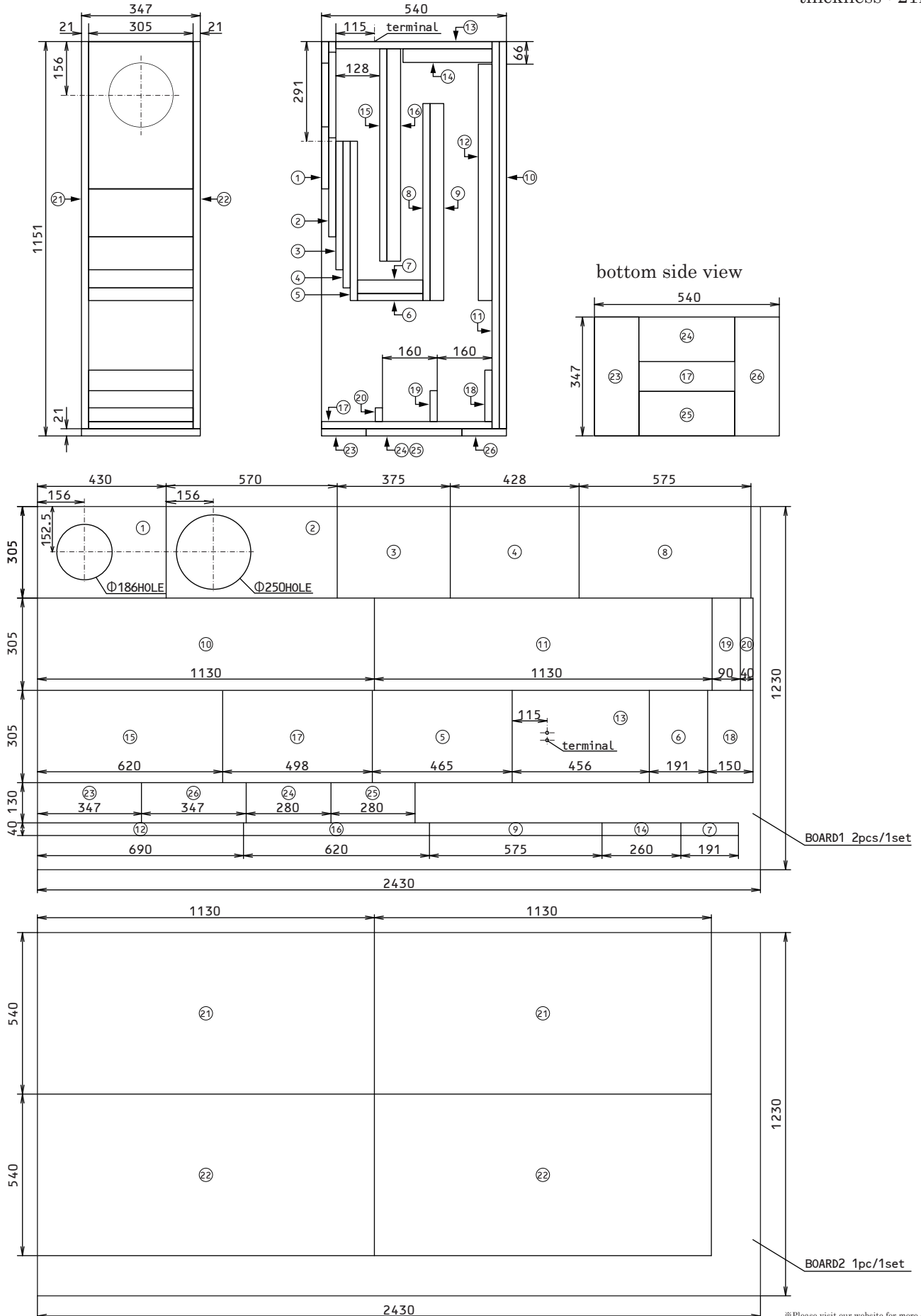
**Fostex**

20cm HP Diaphragm Fullrange  
**FE208SS-HP**

**Application Sheet**

Backloaded horn type Enclosure

thickness : 21mm



※Please visit our website for more details.

In accordance with our policy of continuous development, we reserve the right to change specifications without notice