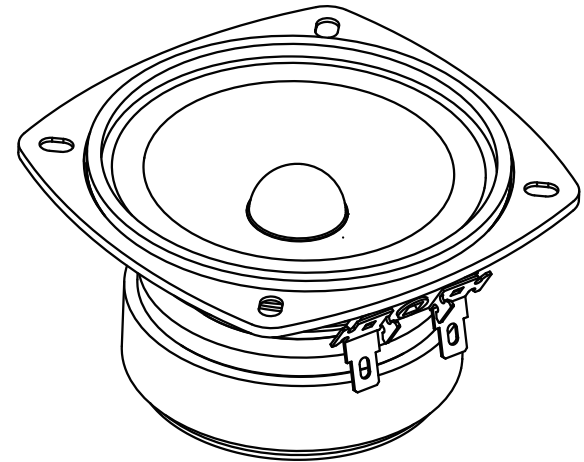




FE83NV

8cm Fullrange speaker unit

Fostex



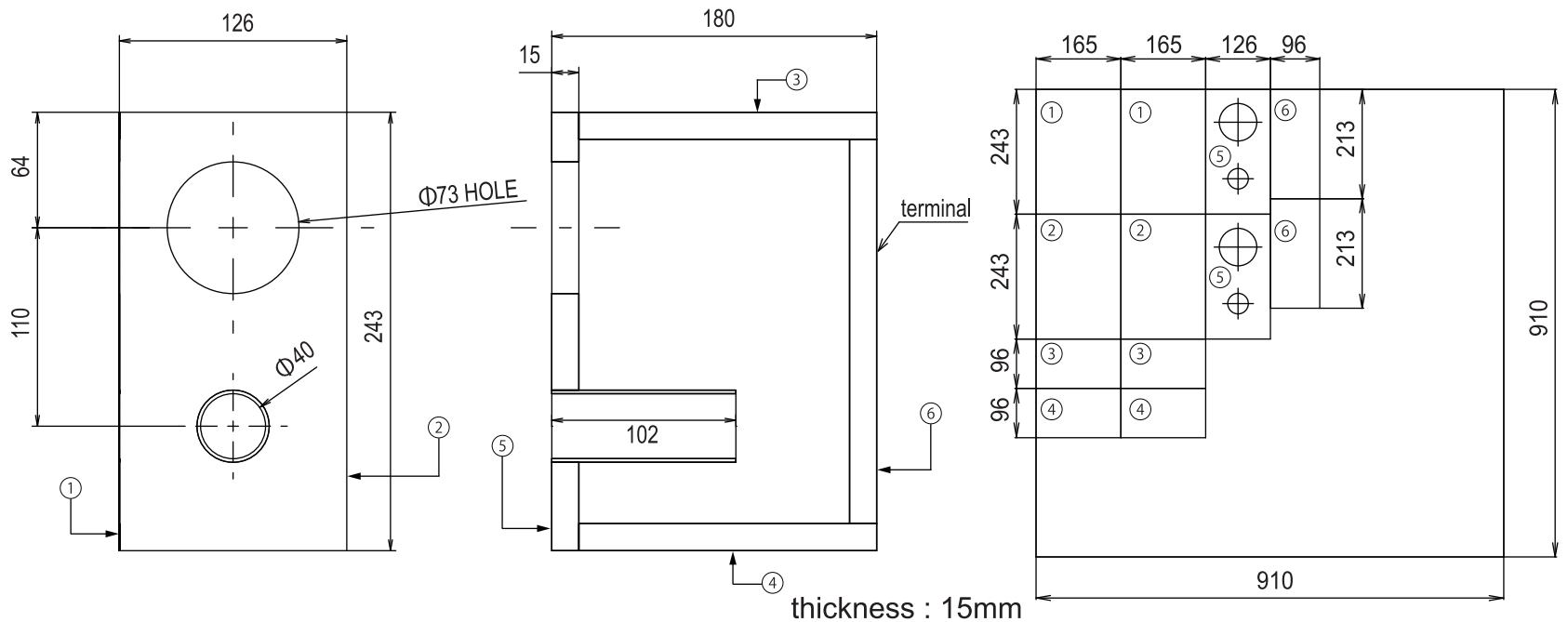
www.fostex.jp/products/fe83nv

Application Sheet



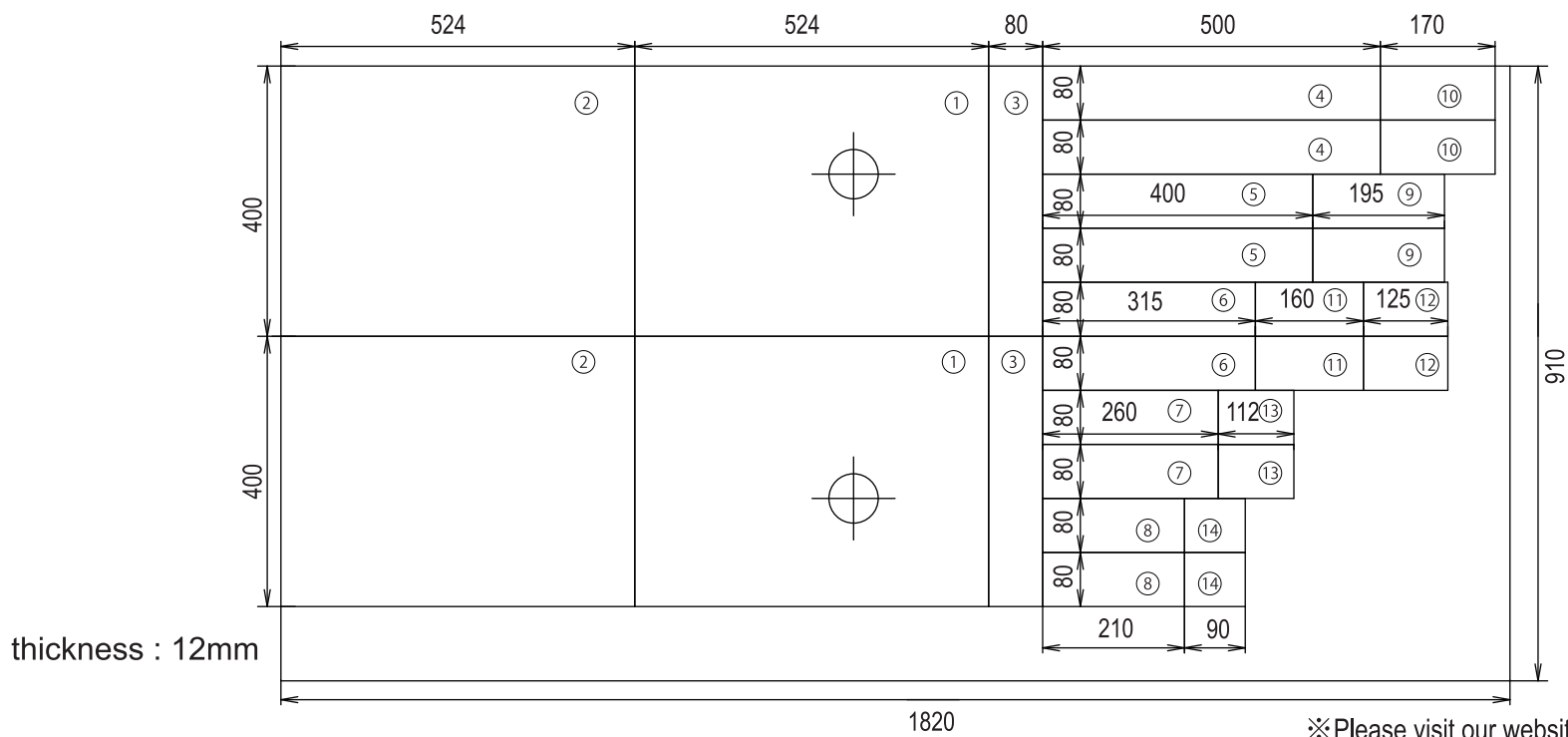
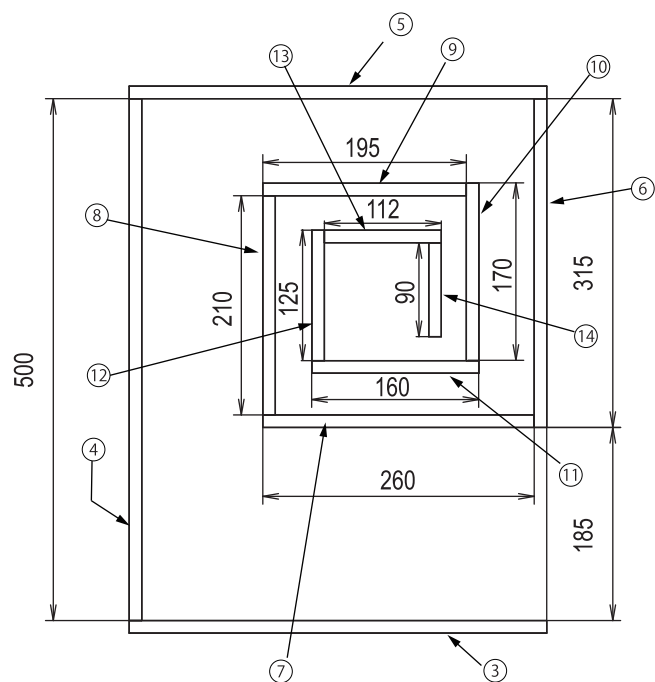
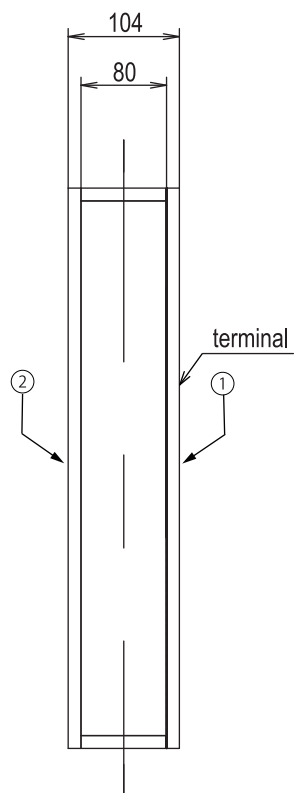
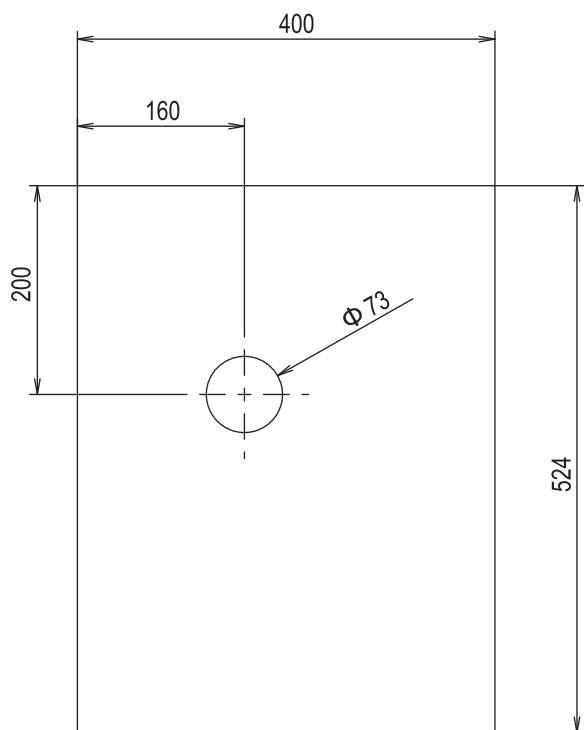
In accordance with our policy of continuous development, we reserve the right to change specifications without notice Printed in China 638120

Bass Reflex type Enclosure



※Please visit our website for more details.

Spiral horn type Enclosure



※Please visit our website for more details.